

TOOLING TECHNOLOGY

BENZ SELECT LINE

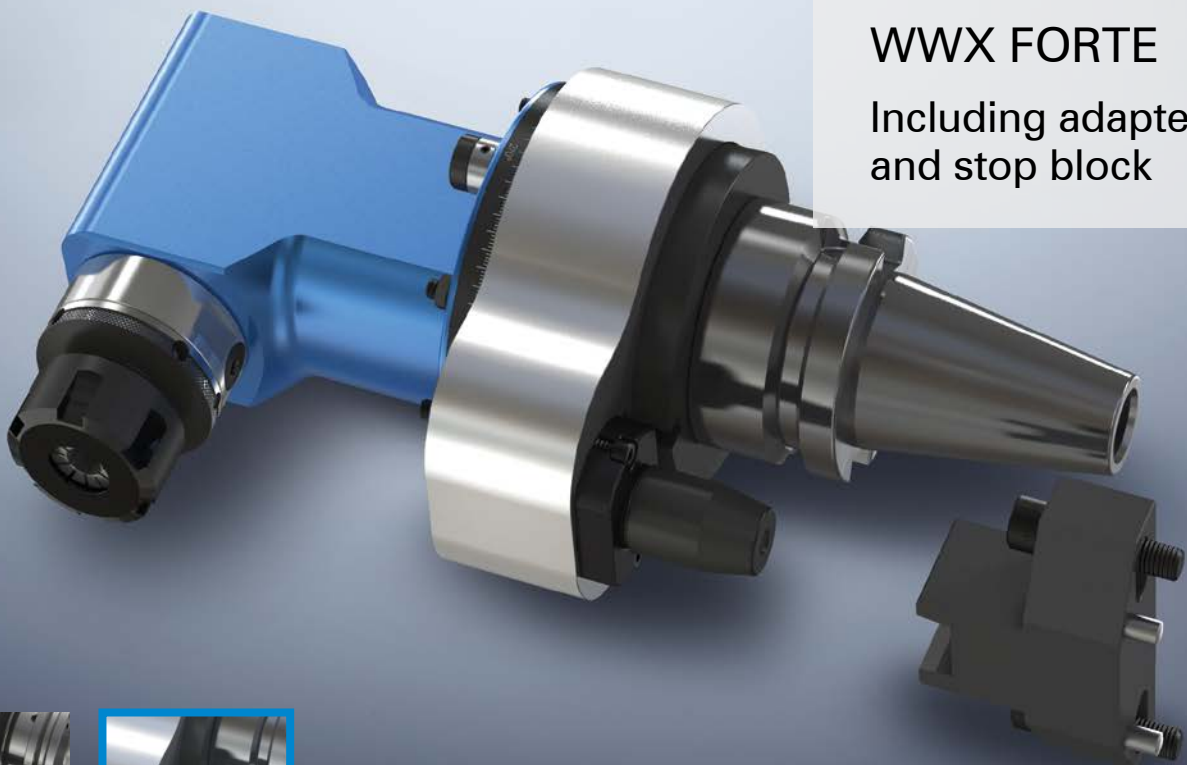
TLP-EDITION

Angle Heads Type

WSX MONO &

WWX FORTE

Including adapter
and stop block



BLP-EDITION



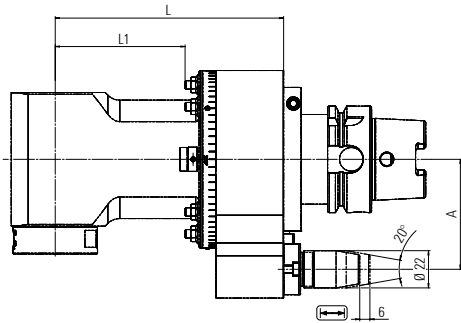
TLP-EDITION

ANGLE HEADS

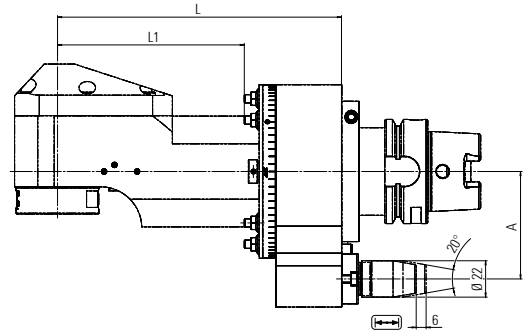
BENZ quality • Attractive pricing • Quick delivery

BENZ SELECT LINE - TLP-EDITION: PRODUCT RANGE

TYPE WSX MONO



TYPE WWX FORTE



- The drawings show sample configurations.
- Drive taper available in HSK-A63, BT40 and BT50
- Spring loaded locking pin with 6 mm stroke
- For BLP-Edition, please contact the Benz Sales Team

Technical data

TYPE	Output spindle	Angle head	Drive taper	L [mm]	L ₁	A [mm]	i	n [rpm]	M [Nm]	Coolant - EC/IC	Order number
WSX Mono	S3 x ER25	05	HSK-A63	135	77	65	1	8000	30	●	771WSXA0205S3-135SLT
	S3 x ER25	05	BT40	135	77	65	1	8000	30	●	039WSXA0205S3-135SLT
	S3 x ER25	05	BT50	135	77	80	1	8000	30	●	011WSXA0205S3-135SLT
	S4 x ER32	07	HSK-A63	150	88	80	1	6000	70	●	771WSXA0207S4-150SLT
	S4 x ER32	07	BT40	150	88	80	1	6000	70	●	039WSXA0207S4-150SLT
	S4 x ER32	07	BT50	150	88	80	1	6000	70	●	011WSXA0207S4-150SLT
WWX Forte	S3 x ER25	05	HSK-A63	172	113	65	1	8000	30	●	771WWXA0205S3-172SLT
	S3 x ER25	05	HSK-A63	172	113	65	1	8000	30	●	711WWXA0205S3-172SLT
	S3 x ER25	05	BT40	172	113	65	1	8000	30	●	039WWXA0205S3-172SLT
	S3 x ER25	05	BT40	172	113	65	1	8000	30	●	339WWXA0205S3-172SLT
	S3 x ER25	05	BT50	172	113	80	1	8000	30	●	011WWXA0205S3-172SLT
	S3 x ER25	05	BT50	172	113	80	1	8000	30	●	466WWXA0205S3-172SLT
	S4 x ER32	07	HSK-A63	200	138	80	1	6000	70	●	771WWXA0207S4-200SLT
	S4 x ER32	07	HSK-A63	200	138	80	1	6000	70	●	711WWXA0207S4-200SLT
	S4 x ER32	07	BT40	200	138	80	1	6000	70	●	039WWXA0207S4-200SLT
	S4 x ER32	07	BT40	200	138	80	1	6000	70	●	339WWXA0207S4-200SLT
	S4 x ER32	07	BT50	200	138	80	1	6000	70	●	011WWXA0207S4-200SLT
	S4 x ER32	07	BT50	200	138	80	1	6000	70	●	466WWXA0207S4-200SLT

Scope of delivery: Angle head with modular quick-change system BENZ Solidfix® including 1 adapter (Type ER Collet) and 1 stop block

ACCESSORIES

TYPE	Size	Order number
	S3 x ER25	693.130E534
	S4 x ER32	694.130E639

TYPE	for A [mm]	Order number
	A 65 / 80	K00600-A02

OPTIONAL ACCESSORIES

TYPE	Size	Order number
	S3 x ER25	S3-SET-001
	S4 x ER32	S4-SET-001