

BENZ LINTEC

BROACHING UNIT BENZ LINA 4.0

OPTIONAL

BENZ
i.com

Condition monitoring



- Stroke: 32 mm
- Internal coolant supply
- Higher stroke speeds
- Higher productivity
- Industry 4.0 ready

FURTHER DEVELOPMENT:

Radial broaching unit for lathes

BROACHING UNIT BENZ LINA 4.0

OVERVIEW

TECHNICAL DATA



OUTPUT SPINDLE



Prism-shaped
profile
Ø 30 mm

TOOL



Clamping
holder with IC

TURRET INTERFACE



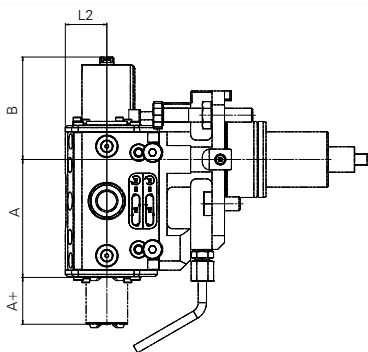
VDI



BMT / CDI



AVAILABLE FOR ALL
COMMON MACHINE AND
TURRET TYPES



Performance data

$n_{1 \max} / *n_{2 \max}$ 3000 / 1500 min⁻¹

$M_{1 \max} / F_{c \max}$ 15 Nm / 1700 N

f 0,02 - 0,10 mm

Groove width_{max} 10 / 12 mm

Technical data

Type	Size Plunger	i	EC	IC	**Stroke [mm]	A [mm]
GS	30	2:1	✓	✓	32	85,5

*Number of double stroke per minute

**Usable working stroke

Type	A+ [mm]	B [mm]	L2 [mm]	Order No.
GS	34	74	30	depending on machine connection