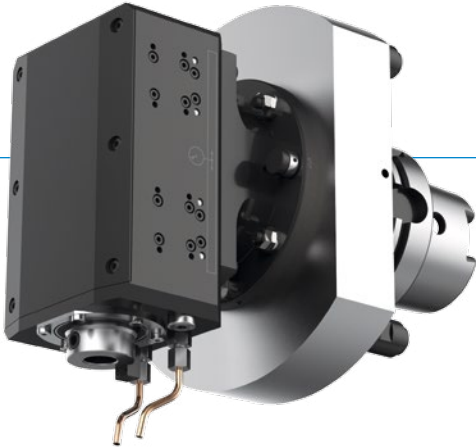


BROACHING UNITS FOR MACHINING CENTERS

BENZ LINA - RADIAL

▶ PRODUCT IN OVERVIEW



- ▶ **max. groove width** 8-10 mm
- ▶ **Ratio** 1:1
- ▶ **max. feed per stroke** 0.15 mm
- ▶ **max. speed** 1,200 rpm

▶ TYPE

FS FSS FSL

▶ DRIVE CONE



SK
DIN 69871



MAS BT



CAT



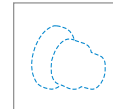
HSK
DIN 69893



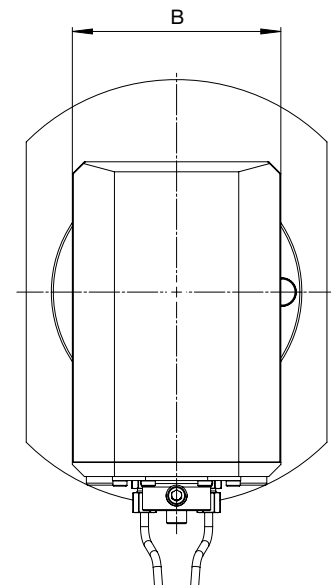
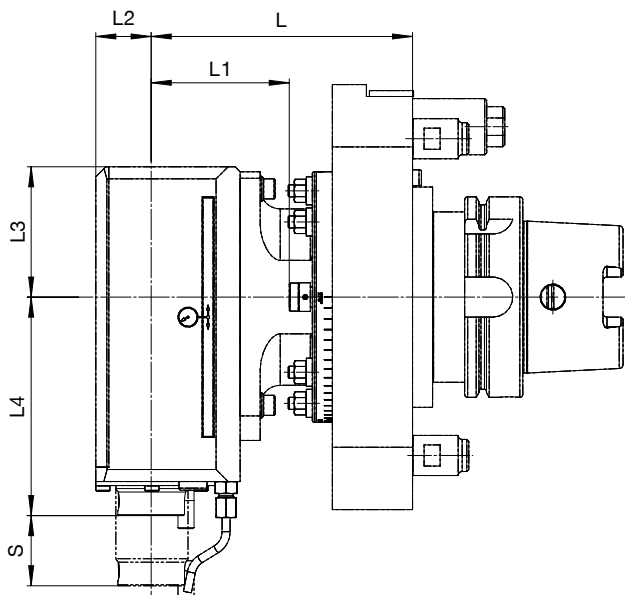
Coromant
Capto®



KM™



Other



FS	
Usable working stroke	= 32 mm
Total stroke	= 35 mm
Material strength _{max}	= 900 N/mm ²
No. of strokes/speed _{max}	= 1,000 rpm

► **Technical data**

L1 [mm]	L2 [mm]	L3 [mm]	L4 [mm]	B [mm]	S [mm]	L [mm]	Weight [kg]
68	28	65	109	104	32/35	130	18

FSS	
Usable working stroke	= 17 mm
Total stroke	= 19 mm
Material strength _{max}	= 1,100 N/mm ²
No. of strokes/speed _{max}	= 1,200 rpm

► **Technical data**

L1 [mm]	L2 [mm]	L3 [mm]	L4 [mm]	B [mm]	S [mm]	L [mm]	Weight [kg]
68	28	65	109	104	17/19	130	18

FSL	
Usable working stroke	= 51 mm
Total stroke	= 53 mm
Material strength _{max}	= 900 N/mm ²
No. of strokes/speed _{max}	= 750 rpm

► **Technical data**

L1 [mm]	L2 [mm]	L3 [mm]	L4 [mm]	B [mm]	S [mm]	L [mm]	Weight [kg]
73	32	85	135	129	51/53	135	23

