

BROACHING UNIT FOR LATHES

BENZ LINA 4.0 - AXIAL / VERTICAL

TECHNICAL DATA



TYPE

ES **ESL**
i = 1:1 i = 1:1

L1

ES **ESL**
variable variable

TOOL HOLDER



Prism tool holder
Ø 30 mm

TURRET INTERFACE



VDI



BMT



CDI



More on request



Broaching machining



Actuating angle



Internal + external cooling



Star Turret

i.com



For questions regarding BENZ i.com please contact our BENZ Sales Team.

i Type of the tools:
Ratio i = 1:1 for tools on vertical lathes with star turret

Performance data

ES	i	EC / IC	IC p _{max} [bar]	n _{1 max} / *n _{2 max} [min ⁻¹]	M _{1 max} / F _{c max} [Nm]	f [mm]	**Groove width _{max} [mm]
Usable working stroke = 32 mm Total Stroke = 34 mm	1:1	✓/✓	50	1500 / 1500	30 / 1700	0,02 - 0,10	12

*double stroke per minute

**depending on the material to be machined

Performance data

ESL	i	EC / IC	IC p _{max} [bar]	n _{1 max} / *n _{2 max} [min ⁻¹]	M _{1 max} / F _{c max} [Nm]	f [mm]	**Groove width _{max} [mm]
Usable working stroke = 51 mm Total Stroke = 53 mm	1:1	✓/✓	50	1000 / 1000	46 / 1700	0,02 - 0,10	12

*double stroke per minute

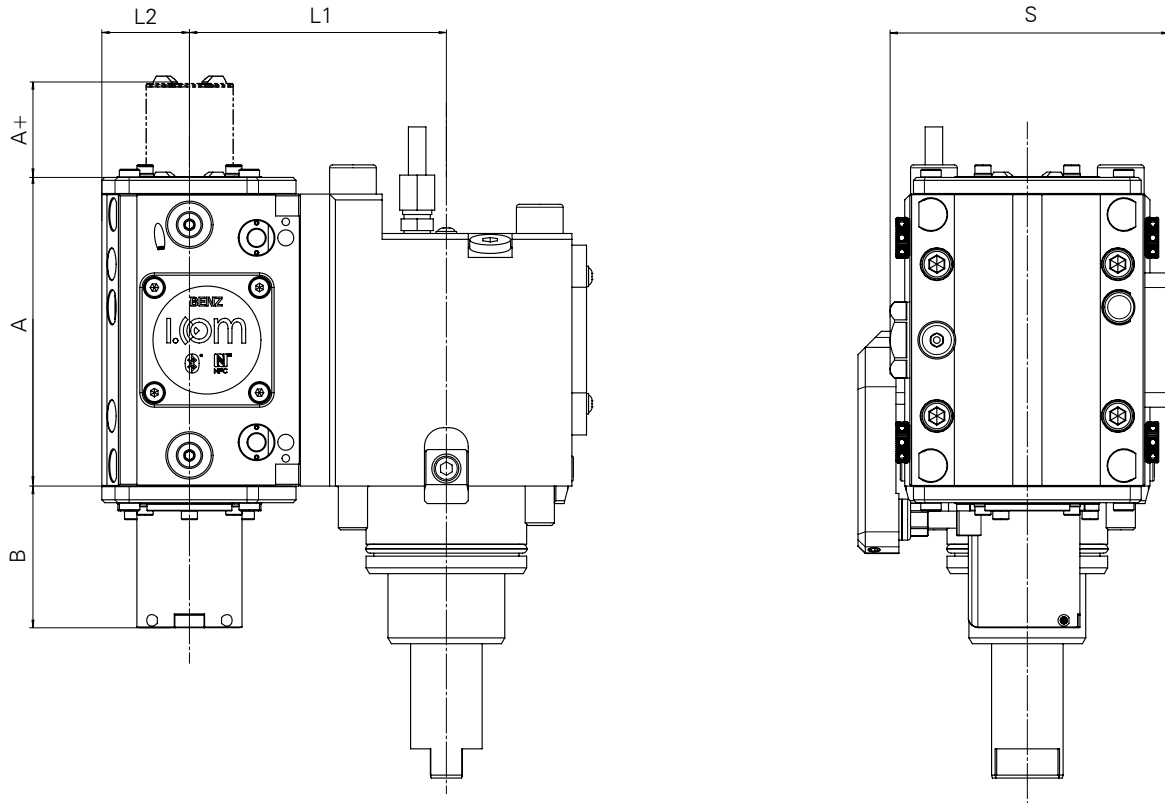
**depending on the material to be machined

For more information about the product or to order please contact our BENZ Sales Team



CONTACT

please click here ▶



Technical Data

Type	Size Plunger	**A+ [mm]	A [mm]	B [mm]	L1 [mm]	L2 [mm]	S [mm]	Weight [kg]*
ES	30	32 / 34	106,5	48,5	■	30	95,5	8-9
ESL	30	51 / 53	136,5	67,5	■	30	115,5	11-12

■ Dimension depends on machine geometry

*varies based on base holder

**usable working stroke / total stroke

PRODUCT INFORMATION



www.benztooling.com/en