

BROACHING UNIT FOR LATHES

BENZ LINA 4.0 - AXIAL / HORIZONTAL

TECHNICAL DATA



TYPE

ES **ESL**
i= 2:1 i= 2:1

L1

ES **ESL**
variable variable

TOOL HOLDER



Prism tool holder
Ø 30 mm

TURRET INTERFACE



VDI



BMT



CDI



More on
request



Broaching
machining



Actuating
angle



Internal +
external
cooling



Disc turret

i.com



For questions regarding BENZ i.com
please contact our BENZ Sales Team.

i Type of the tools:
Ratio i=2:1 for tools on lathes with disc turret

Performance data

| ES | i | EC / IC | IC p _{max} [bar] | n _{1 max} / *n _{2 max} [min ⁻¹] | M _{1 max} / F _{c max} [Nm] | f [mm] | **Groove width _{max} [mm] |
|---|-----|---------|------------------------------|--|---|-------------|---------------------------------------|
| Usable working stroke = 32 mm Total Stroke = 34 mm | 2:1 | ✓/✓ | 50 | 3000 / 1500 | 15 / 1700 | 0,02 - 0,10 | 12 |

*double stroke per minute

**depending on the material to be machined

Performance data

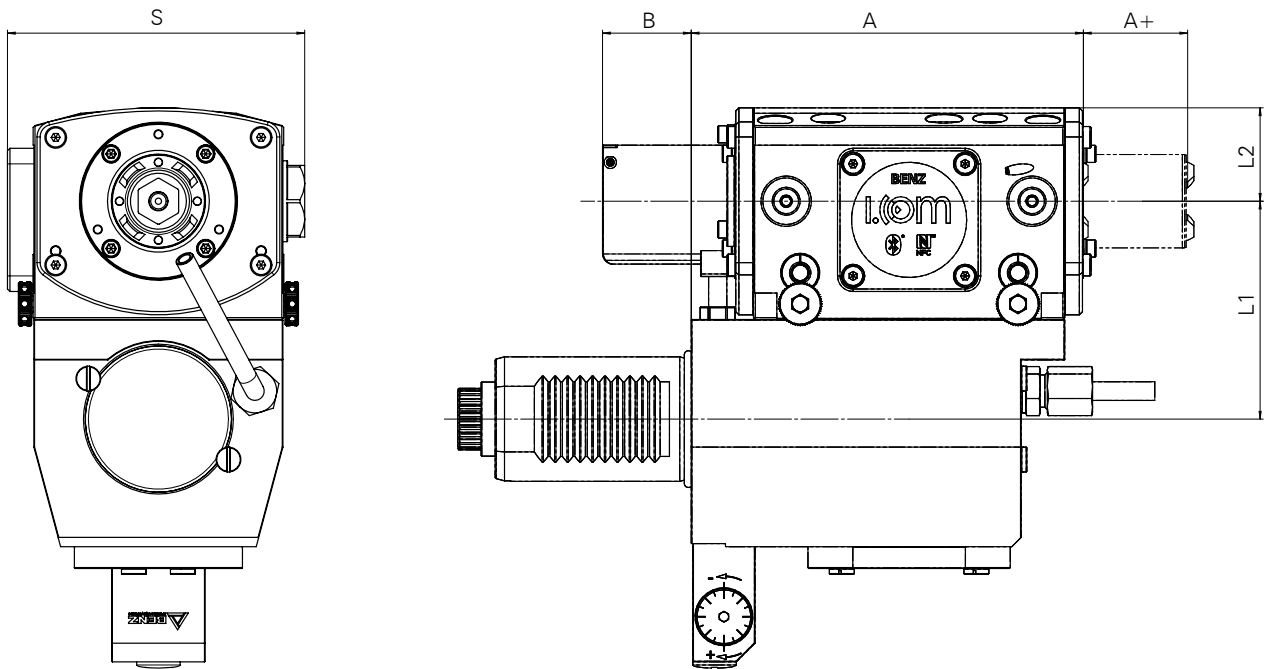
| ESL | i | EC / IC | IC p _{max} [bar] | n _{1 max} / *n _{2 max} [min ⁻¹] | M _{1 max} / F _{c max} [Nm] | f [mm] | **Groove width _{max} [mm] |
|---|-----|---------|------------------------------|--|---|-------------|---------------------------------------|
| Usable working stroke = 51 mm Total Stroke = 53 mm | 2:1 | ✓/✓ | 50 | 2000 / 1000 | 23 / 1700 | 0,02 - 0,10 | 12 |

*double stroke per minute

**depending on the material to be machined

For more information about the product or to order please contact our BENZ Sales Team

please click here ▶



Technical Data

| Type | Size Plunger | **A+ [mm] | A [mm] | B [mm] | L1 [mm] | L2 [mm] | S [mm] | Weight [kg]* |
|------|-----------------|--------------|-----------|-----------|------------|------------|-----------|-----------------|
| ES | 30 | 32 / 34 | 126,5 | 28,5 | ■ | 30 | 95,5 | 8-9 |
| ESL | 30 | 51 / 53 | 156,5 | 47,5 | ■ | 30 | 115,5 | 11-12 |

■ Dimension depends on machine geometry

*varies based on base holder

**usable working stroke / total stroke

PRODUCT INFORMATION

www.benztooling.com/en