

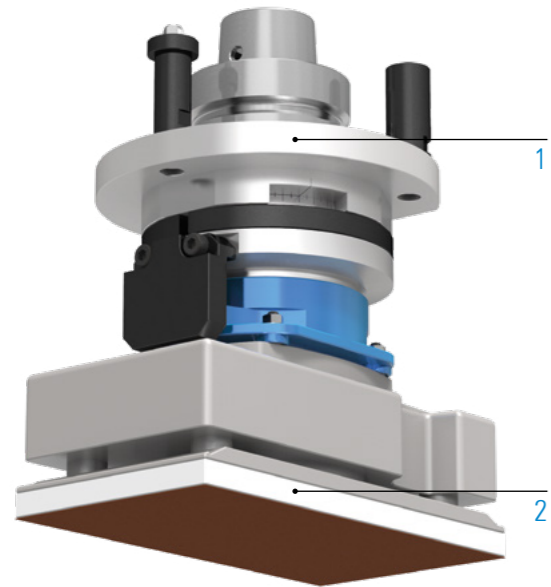
VIBRATING SANDING UNIT – CLASSIC LINE

ZUCCO



TECHNICAL DATA

Lubrication
Max. drive speed n_2
Transmission ratio ($n_1: n_2$)
Weight

Grease
3,000 rpm
1:1
about 3 kg

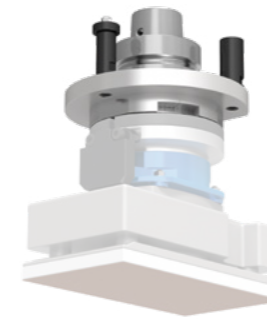


STANDARD DESIGN

- 1  Machine connection
HSK - F63
- 2  Sanding plate
Width 93 mm, Length 175 mm


ADDITIONAL OPTIONS: MODULAR DESIGN

1

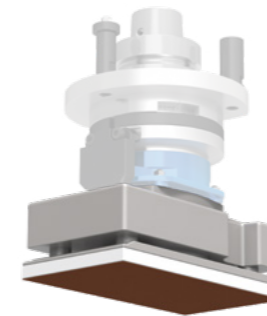


MACHINE CONNECTION



 Weitere Informationen S. 106

2



SANDING PLATE



Width 93 mm,
Length 175 mm

MACHINING



Sanding

SPECIFICATIONS

Number of
output spindles

Axis angle



C-angle



Grease lubrication

ORDER DIRECTLY



Inquiry form:
www.benztooling.com/en/products