


CHISEL MORTISING UNIT – CLASSIC LINE RENITO H

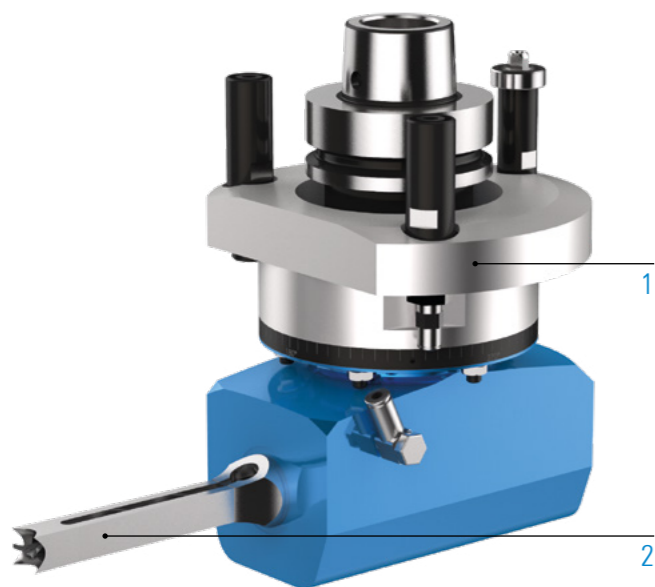
TECHNICAL DATA

Lubrication	Grease
Max. drive speed n_2	1,000rpm
Transmission ratio ($n_1: n_2$)	1:0.73
Max. drive torque M_2	22 Nm
Weight	about 4.5kg

STANDARD DESIGN

1  Machine Connection
HSK - F63

2  **10** Chisel cross section



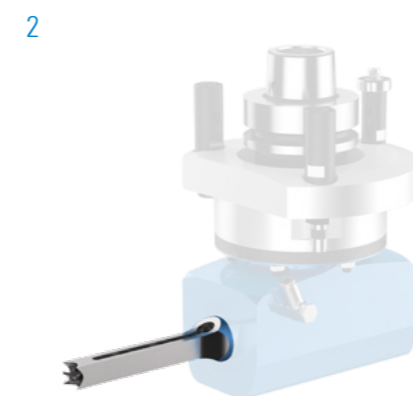
ADDITIONAL OPTIONS: MODULAR DESIGN



MACHINE CONNECTION




 Weitere Informationen S. 106



CHISEL CROSS SECTION







 Additional chisel cross sections on request

MACHINING



SPECIFICATIONS

-  Number of output spindles
-  Axis angle
-  C-angle
-  Grease lubrication

VIDEO



Unit - live in the application
Scan QR code or go to:
www.youtube.com/BENZtooling

TECHNICAL DRAWING

