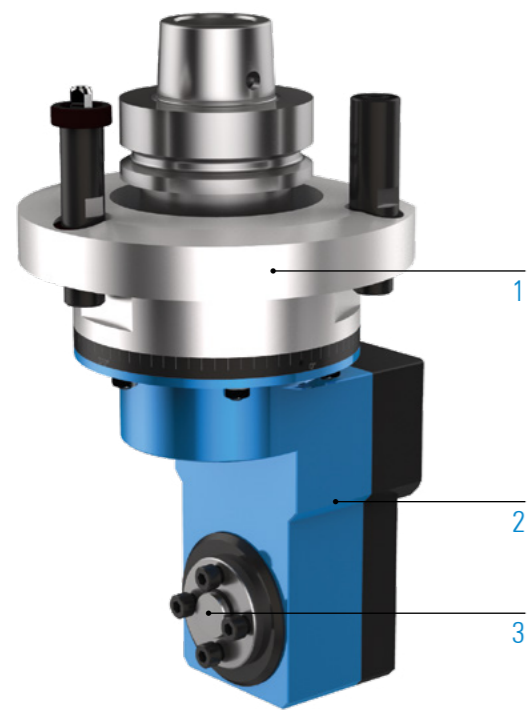


CORNER NOTCHING UNIT – CLASSIC LINE




ANGULO

TECHNICAL DATA



Lubrication Grease
 Max. drive speed n_2 10,000 rpm
 Transmission ratio ($n_1: n_2$) 1:1.3
 Max. drive torque M_2 20 Nm
 Weight about 4.5 kg

STANDARD DESIGN

- 1  Machine Connection
HSK - F63
- 2  Head length
M
- 3  Output spindle
Centring Ø16

MACHINING




Drilling




Milling

SPECIFICATIONS

 1 Number of output spindles

 90° Axis angle

 360° C-angle

 Grease lubrication

VIDEO



Angle head - live in the application
 Scan QR code or go to:
www.youtube.com/BENZtooling

TECHNICAL DRAWING



ADDITIONAL OPTIONS: MODULAR DESIGN

1



MACHINE CONNECTION



2



HEAD LENGTH



3



OUTPUT SPINDLE

