

LIVE TOOLS – BMT 68

RADIAL, RECESSED

TECHNICAL DATA



LENGTH L1

80

OUTPUT SPINDLES



BENZ Solidfix®



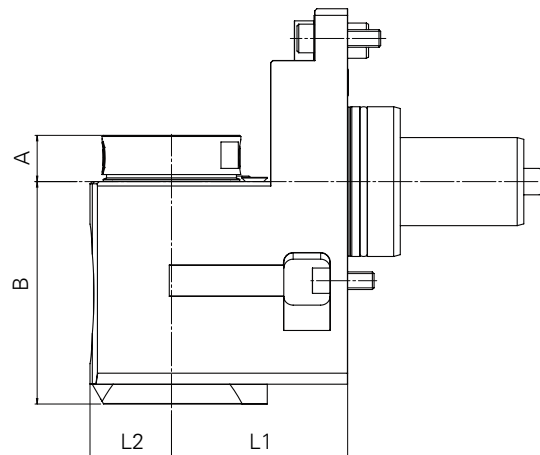
Collet chuck System ER DIN 6499

i Other output spindles available upon request



PD	Performance data		
	IC p _{max} [bar]	n _{1 max} / n _{2 max} [min ⁻¹]	M _{1 max} / M _{2 max} [Nm]
1	-	6000 / 6000	70 / 70
2	100	6000 / 6000	70 / 70

BENZ Solidfix® / Collet Chuck



Output spindle	Technical data								PD	Order No.
	Size Spindle	i	EC	IC	A _{max} [mm]	B [mm]	L2 [mm]	L1 [mm]		
BENZ Solidfix®	S4	1:1	✓	-	21	101	37	80	1	114FBX12949S4L-80
	S4	1:1	✓	✓	21	111	37	80	2	114GBX12949S4L-80
Collet Chuck	ER32	1:1	✓	-	18,1	101	37	80	1	114FBX12949E6AL-80
	ER32	1:1	✓	✓	23,2	111	37	80	2	114GBX12949E6AL-80