

# LIVE TOOL – BMT 68

## AXIAL

### TECHNICAL DATA



### OUTPUT SPINDLES



BENZ  
Solidfix®



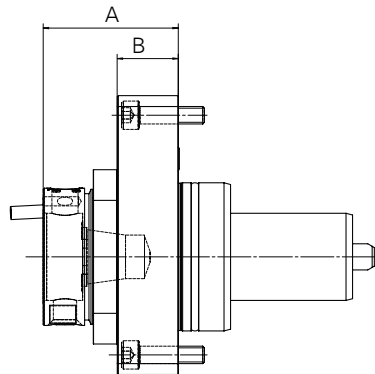
Collet chuck  
System ER  
DIN 6499

**i** Other output spindles available upon request



PD	Performance data		
	IC p <sub>max</sub> [bar]	n <sub>1 max</sub> / n <sub>2 max</sub> [min <sup>-1</sup> ]	M <sub>1 max</sub> / M <sub>2 max</sub> [Nm]
<b>1</b>	-	6500 / 6500	80 / 80
<b>2</b>	70	6500 / 6500	80 / 80

BENZ Solidfix® / Collet Chuck



Output spindle	Technical data							Order No.
	Size Spindle	i	EC	IC	A <sub>max</sub> [mm]	B [mm]	PD	
BENZ Solidfix®	S4	1:1	✓	-	62	28	<b>1</b>	114DA12941S4
	S4	1:1	✓	✓	62	28	<b>2</b>	114EA12941S4
Collet Chuck	ER32	1:1	✓	-	50,1	28	<b>1</b>	114DA12941E6A
	ER32	1:1	✓	✓	55,2	28	<b>2</b>	114EA12941E6A