



2016 Retail Price List

CLASSIC and PREMIUM LINES

8325 J Arrowridge Blvd., Charlotte, NC 28273 Phone (704) 529-5300 Fax (704) 529-5009

All sales are made subject to our Terms and Conditions of Retail Sale, a copy of which is available on request. We reserve the right to change our Terms and Conditions of Sale, product and service specifications and prices at any time without notice. BENZ Inc. now accepts payment through the following credit card companies: VISA & MASTERCARD - subject to credit approval.

BENZ is the technological leader for the production of machining heads for the woodworking industry. Our know-how, grown through tradition, and demand for high quality, provide the motivation and challenge for us to achieve optimum solutions for your applications. The highly skilled and motivated BENZ team will accompany you from extensive evaluation to solid, reliable solutions. Benz – your only partner for specialized cutting and machining solutions.

*Introducing the “new” **Classic and Premium Lines** from Benz. A unique combination of flexibility, and performance – at an affordable price!*

Flexibility *All Benz aggregate heads have been designed and engineered to incorporate a unique “modular” system which consists of 4 (four) primary components: **A**) spindle connection **B**) machine connection (brand) **C**) body style (aggregate type) and **D**) output connection. This results in faster delivery times, capability to use the same head on multiple machine brands (equipped with the same spindle connection) and unlimited rotation of the aggregate tool on the horizontal plane for machines without C axis.*

Performance *The “new” **Classic Line** from Benz incorporates a revolutionary crown gear system with a synthetic grease product which is intended to alter the viscosity once the aggregate warms up to operating temperature. The lower viscosity allows the grease to operate as both a lubricant as well as a coolant. This results in the ability for the aggregate to operate with a **Continuous Duty Cycle**. In addition, the aggregate is literally maintenance free! The “new” **Premium Line** from Benz incorporated our “oil bath” technology combined with bevel cut gears. This results in the most durable, high performance solution that Benz has ever offered. For the most demanding machining applications – the new **Premium Line** from Benz is your best solution.*

When you demand perfection and quality - Insist on BENZ!



Single sided right angle head – MONO – **CLASSIC**

Lubrication - Grease

Maximum RPM – 15,000/8,000

Maximum torque – 25 Nm

Gear ratio – 1 to 1.2 or 1 to 0.8

Weight – approx. 12 lbs.

Tool outlets - Sawblade connection

Arbor 30mm (dia.) X 16mm, 33mm, 52mm or 63mm

Nut and Collet system – ER25 or ER32

Benz SolidFix® system - available

List Price – US\$ 6,200.00 FOB Charlotte, NC



Single sided right angle head – MONO – **PREMIUM**

Lubrication - Oil

Maximum RPM – 8,000

Maximum torque – 25 Nm

Gear ratio – 1 to 0.8 - ONLY

Weight – approx. 12 lbs.

Tool outlets - Sawblade connection

Arbor 30mm (dia.) X 16 mm, 33mm, 52mm or 63mm

Nut and Collet system – ER25 or ER32

Benz SolidFix® system - available

List Price – US\$ 7,675.00 FOB Charlotte, NC



Double sided right angle head – DUO - **CLASSIC**

Lubrication - Grease

Maximum RPM – 15,000

Maximum torque – 25 Nm

Gear ratio – 1 to 1.2

Weight – approx. 12 lbs.

Tool outlets - Sawblade connection

Arbor 30mm (dia.) X 16 mm, 33mm, 52mm or 63mm

Nut and Collet system – ER25 or ER32

Benz SolidFix® system - available

List price – US\$ 6,600.00 FOB Charlotte, NC



Four sided right angle head – QUATTRO - **CLASSIC**
Lubrication - Grease
Maximum RPM – 15,000
Maximum torque – 25 Nm
Gear ratio – 1 to 1.2
Weight – approx. 13 lbs.
Tool outlets - Nut and Collet system – ER25 or ER32
Benz SolidFix® system - available

List price – US\$ 7,875.00 FOB Charlotte, NC



Adjustable angle head - digital display – FLEX - **CLASSIC**
Lubrication - Grease
Maximum RPM – 15,000
Maximum torque – 25 Nm
Gear ratio – 1 to 1
Weight – approx. 17 lbs.
Tool outlet - Sawblade connection 30mm or 40mm bore
Combination ER25 and Sawblade
Nut and Collet system – ER25 or ER32

List price – US\$ 9,000.00 FOB Charlotte, NC



Adjustable angle head - digital display – FLEX - **PREMIUM**
Lubrication - Oil
Maximum RPM – 15,000
Maximum torque – 26.5 Nm
Gear ratio – 1 to 0.94
Weight – approx. 20 lbs.
Tool outlet - Combination Sawblade – 40mm bore with
flush mount (internal) ER25 Nut and Collet - ONLY

List price – US\$ 11,500.00 FOB Charlotte, NC



Lock recess trimming head – FORTE - CLASSIC

Lubrication - Grease

Maximum RPM – 15,000

Maximum torque – 25 Nm

Gear ratio – 1 to 1.2

Weight – approx. 12 lbs.

**Tool outlet - Front connection - Nut and Collet system – ER32
Sawblade connection 40mm with flush mount (internal) ER25
Nut and Collet OR 30mm with 10mm Weldon or 16/20mm
Whistle Notch. Benz SolidFix® system. Arbor 20mm X 43mm**

**Rear connection – flush mount (internal) ER16 Nut and Collet
Benz SolidFix® system - available**

List price – US\$ 6,800.00 FOB Charlotte, NC



Corner notching unit – FORTE - CLASSIC

Lubrication - Grease

Maximum RPM – 10,000

Maximum torque – 20 Nm

Gear ratio – 1 to 1.2

Weight – approx. 10 lbs.

**Tool outlet - Front connection - Flush mount (internal) ER16
Nut and Collet OR standard ER25 Nut and Collet OR corner
notching cutter head mount with 16mm bore
Available in 178mm or 210mm body length**

List price – 178mm – US\$ 8,350.00 FOB Charlotte, NC

List price – 210mm – US\$ 9,650.00 FOB Charlotte, NC



Undersurface trimming unit – SUBIO - CLASSIC

Lubrication: Grease

Maximum RPM – 10,000

Maximum torque – 8 Nm

Gear ratio – 1 to 1

Weight – approx. 16 lbs.

**Tool outlet - Flush mount (internal) ER16 Nut and Collet OR
Weldon 12mm**

List price – US\$ 9,500.00 FOB Charlotte, NC



Multi-spindle drill head – MULTI H3 - CLASSIC

Lubrication: Grease

Maximum RPM – 12,000

Maximum torque – 2 Nm

Gear ratio – 1 to 4

Weight – approx. 9 lbs.

Tool outlet - 3 X Weldon 6mm – 20mm & 32mm spacing

List Price – US\$ 11,750.00 FOB Charlotte, NC



Multi-spindle drill head – MULTI H3+ - CLASSIC

Lubrication: Grease

Maximum RPM – 10,000

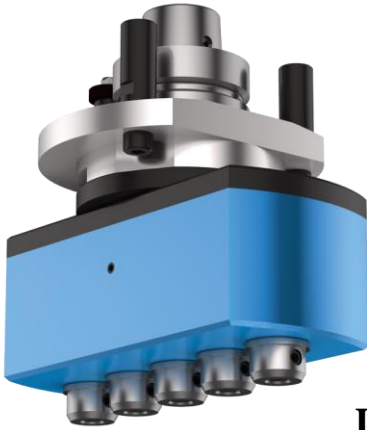
Maximum torque – 5 Nm

Gear ratio – 1 to 1.37

Weight – approx. 9 lbs.

**Tool outlet - 3 X Weldon 10mm – 20 mm, 22mm, 22.5mm,
25mm, 25.4mm & 32mm spacing**

List Price – US\$ 11,750.00 FOB Charlotte, NC



Multi-spindle drill head – MULTI V - CLASSIC

Lubrication - Grease

Maximum RPM – 12,000

Maximum torque – 5 Nm (4000 RPM)

Gear ratio – 1 to 1

Weight – approx. 12 lbs.

**Tool outlet - 3, 5, 7, 9 OR 11 x Weldon 10mm – 20mm,
21.5mm, 25mm, 25.4mm, 30mm, 32mm, 40mm, 50mm, 60mm
& 100mm spacing**

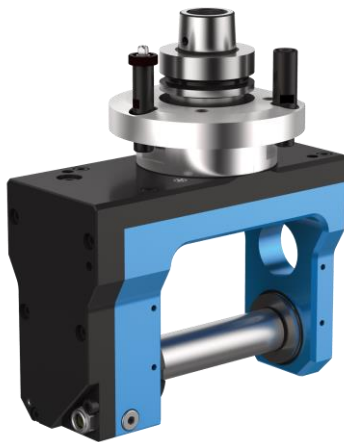
List price – 3 spindle – US\$ 9,100.00

5 spindle – US\$ 9,800.00

7 spindle – US\$ 11,515.00

9 spindle – US\$ 13,210.00

11 spindle – US\$ 15,900.00



Molder Head – COMPACT - PREMIUM

Lubrication – Oil

Maximum RPM – 10,000

Maximum torque – 25 Nm

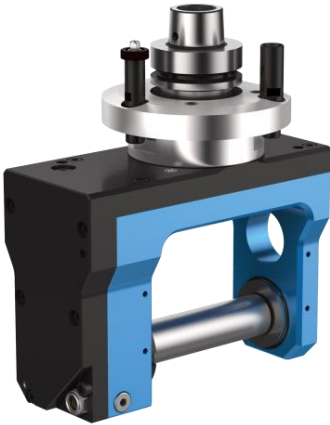
Gear ratio – 1 to 0.9

Weight – approx. 19 lbs.

Tool outlet – arbor 30mm X 100mm OR 30mm X 120mm

List Price – 100mm length - US\$ 9,250.00 FOB Charlotte, NC

120mm length – US\$ 9,000.00 FOB Charlotte, NC



Molder Head – STANDARD - PREMIUM

Lubrication – Oil

Maximum RPM – 10,000

Maximum torque – 25 Nm

Gear ratio – 1 to 0.9

Weight – approx. 21 lbs.

Tool outlet – arbor 30mm X 100mm, 30mm X 120mm,
30mm X 170mm, 35mm X 120mm or 35mm X 170mm

List Price – 100mm length - US\$ 10,250.00 FOB Charlotte, NC

120mm length – US\$ 9,500.00 FOB Charlotte, NC

170mm length – US\$ 11,575.00 FOB Charlotte, NC



**Vertical trimming unit – FLOATING - CLASSIC
WITH TURBO FAN**

Lubrication - Grease

Maximum RPM – 18,000

Maximum torque – 10 Nm

Gear ratio – 1 to 1

Weight – approx. 14 lbs.

Tool outlet – SolidFix®

List price – US\$ 9,150.00 FOB Charlotte, NC



**Vertical trimming unit – FLOATING - CLASSIC
WITHOUT TURBO FAN**

Lubrication - Grease

Maximum RPM – 18,000

Maximum torque – 10 Nm

Gear ratio – 1 to 1

Weight – approx. 12 lbs.

Tool outlet - ER 25 collet system

List price – US\$ 7,850.00 FOB Charlotte, NC



Belt sanding unit – COLLEVO – CLASSIC
Lubrication – Grease
Maximum RPM – 2700
Maximum torque – 10 Nm
Gear ratio – 1 to 0.9
Weight – approx. 20 lbs.
Belt size – 100mm X 560mm

List price – US\$ 7,985.00 FOB Charlotte, NC



Orbital sanding unit – SIMOLO - CLASSIC
Lubrication – Grease
Maximum RPM – 4,000 RPM
Gear ratio – 1 to 1
Weight – approx. 7 lbs.
Sanding disc diameter – 125mm or 150 mm

List Price – US\$ 5,100.00 FOB Charlotte, NC



Reciprocating Knife Cutter – SECO – CLASSIC
Lubrication – Grease
Maximum RPM – 6,000 RPM
Gear ratio – 1 to 1.2
Weight – approx. 15 lbs.
Stroke – 5mm
Tool outlet – Weldon 6mm

List Price – US\$ 11,100.00 FOB Charlotte, NC

Benz SolidFix® System

DRILL/MILLING HOLDERS



Collar chuck holder with externally located clamping nut per DIN6499
Clamping range
ER 25 Ø2 - Ø16
ER 32 Ø2 - Ø20



Weldon holder per DIN1835B
Clamping range
Ø6/Ø8/Ø10/Ø12/Ø14/Ø16/
Ø18/Ø20

SAW BLADE HOLDERS



Arbor Ø30 (TK Ø42 - 2x Ø6)
tool length 1.5 - 63 mm



Centring Ø30 (TK Ø45/Ø52 - 4x M5)



Centring Ø40 (TK Ø52 - 8x M5)

EXCHANGEABLE UNITS

► For horizontal machining
(see page 58)



HSK TOOL HOLDER

Presetting of tools is possible

► For vertical machining
(see page 100)



► Tool change with BENZ SolidFix®



In just a few steps

- **Make yourself familiar with the activation**
To be able to change the adapter, the activation must first be open (small picture above)
- **Insert the adapter and turn it 90°**
- **Distance-controlled clamping to fix the adapter in place**
Turn the clamping screw in as far as it will go (small picture below)

The Benz “SolidFix®” system consists of a “quick release” clamping mechanism in the position of the tool outlet and multiple output adaptors which can be “locked” into position in less than 10 seconds. This system allows the operator to freely change the configuration of the head to suit each application and requirement that challenges your production. In addition, the machine operator can “set-up” different cutting tools (router bits, drill bits or saw blades) using additional output adaptors while the machine is in production reducing machine downtime normally used for set-up.

List price to add SolidFix® – US\$ 250.00 per outlet

List price for SolidFix® output adaptors – US\$ 400.00 each